

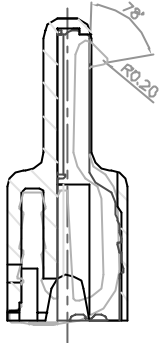
Tous droits strictement réservés. Reproduction ou communication o des tiers interdite sous quelque forme que ce soit sans autorisation écrite du propriétaire. Propriété de o FCI. Droits de reproduction FCI.

All rights strictly reserved. Reproduction or issue to third parties in any form whatever is not permitted without written authority from the proprietor. Property of FCI. Copyright FCI.

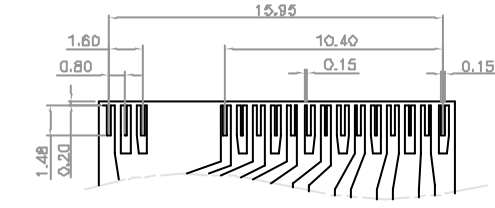
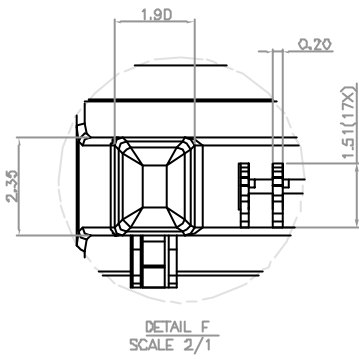
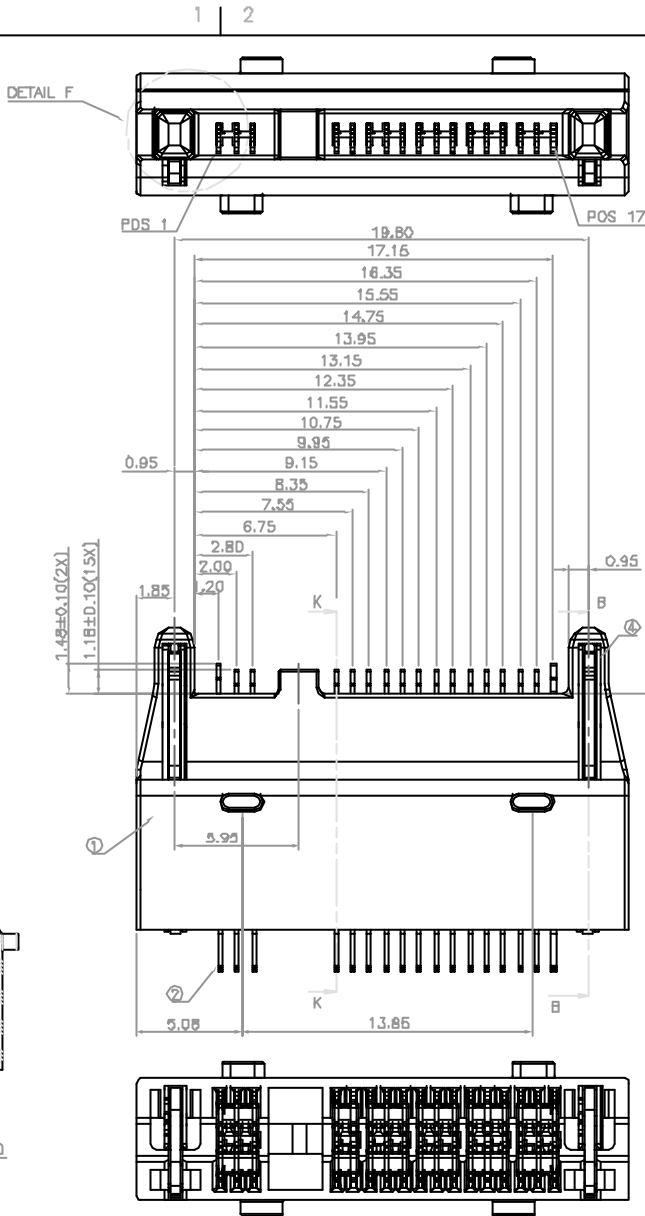
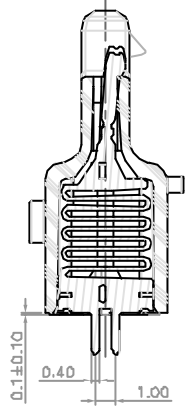
**FCI**

PART NUMBER
10031285-001
10031285-001LF

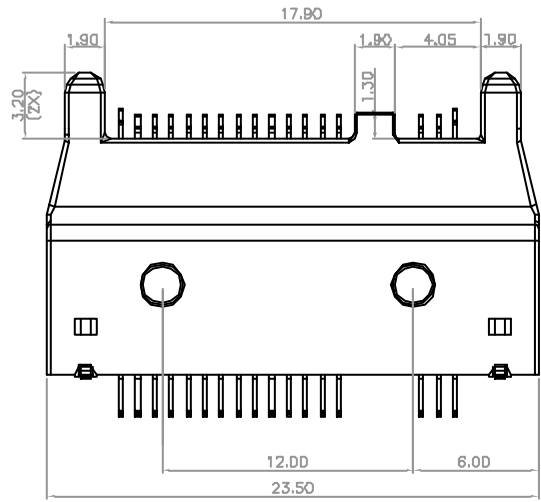
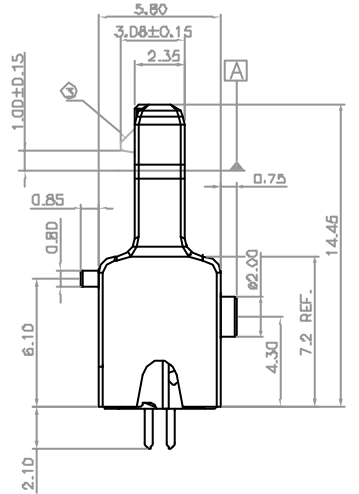
SECTION B-B



SECTION K-K



Required board layout view on front side



mat'l. code				tolerances unless otherwise specified		CUSTOMER COPY	<b>FCI</b> www.fciconnect.com
ltr	con no	dr	date	linear	.X ± 0.15		
A	T04-0088	M	W 02/18/04		.XX ± 0.10	projection	title BLUETOOTH ASSEMBLY
B	T04-0217	M	W 05/18/04	angles	.XXX ±		
C	0604-0088	P	M 12/18/04		.0° ± 2°	MM	product family MOBILE I/O size dwg no
				dr	MAGGIE WU 07/10/03		
				enrg	LEIF SHEN 07/10/03	sheet index	revision sheet
				chr	PAUL WANG 07/10/03		
				appd	JENN TSAD 07/10/03	cage code 22526	1 of 2
						4	

ACAD

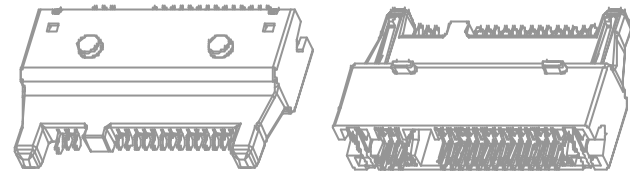
PDM: Rev:C

STATUS Released

Printed: Apr 14, 2008

PART NUMBER
10031285-001
10031285-001LF

	DESCRIPTION	MATERIAL
1	HOUSING	DSM Stanyl Nylon 46 TE250F8
2	TERMINAL PINS	STOL 94 Contact Area: 30 micro-inches minimum electroplate hard Gold over-plating over 100-150 micro-inches of ductile Nickel barrier plating. Gold plating is to extend a minimum of 2.4 mm from the tip of the contact. Solder Tail: Plating shall be Tin/Lead, 90 (Acceptable range: 85-95) /10 (acceptable range: 5-15) for 10031285-001 or Plating shall be pure Sn for 10031285-001LF (78 micro inches minimum) over Ductile Nickel (50 micro-inches minimum).
3	PASSIVE LATCH	SUS 301 3/4 Hardness
4	PEG BLADE	SUS 301 3/4 Hardness



Notes:

1. Contact retention force 4N minimum
2. Latch retention force 19.8N minimum
3. The housing will withstand exposure to 260°C peak temperature for 10 seconds in a convection, infra red vapor phase reflow oven
4. 10031285-D01LF meets European union directives and other country regulations as described in GS-22-008
5. Lead free label for 10031285-001LF per GS-14-920

All rights strictly reserved. Reproduction or reuse to third parties in any form whatsoever is not permitted without written authority from the proprietor. Property of FCI. Copyright FCI.



mat'l. code		tolerances unless otherwise specified		CUSTOMER COPY		 www.fciconnect.com	
ltr	ecn no	dr	date	linear	.X ± 0.15	projection	title
C					.XX ± 0.10	 MM	BLUETOOTH ASSEMBLY
				angles	.XXX ±		product family
					.0° ± 2°	size	dwg no
		dr	MAGGIE WU	07/10/03		scale	10031285
		engr	LEIF SHEN	07/10/03		2:1	sheet
		chr	PAUL WANG	07/10/03			2 of
		appd	JENN TSAO	07/10/03			
sheet index	revision sheet						

cage code  
22526

ACAD

PDM: Rev:C

STATUS: Released

Printed: Apr 14, 2008